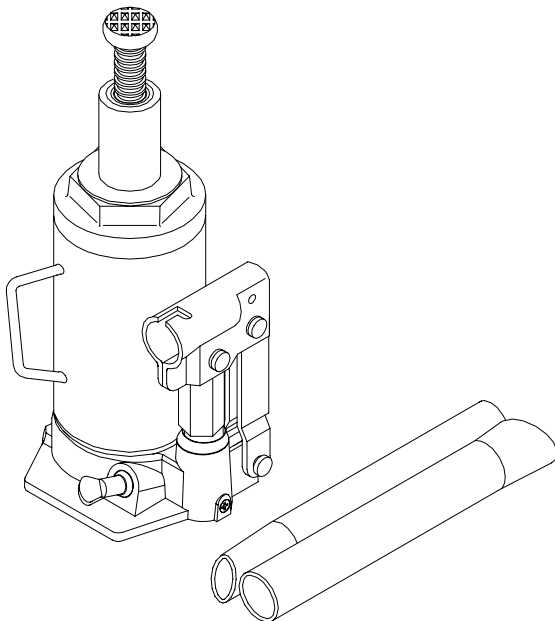


ATD TOOLS, INC.

PRODUCT SPECIFICATIONS

MODEL #:	7386
DESCRIPTION:	BOTTLE JACK
CAPACITY:	20 TON
JACK SIZE:	6 1/4" (L) X 5 7/8" (W)
MIN. HEIGHT:	9 1/2"
MAX. HEIGHT:	18 5/8"
SCREW EXT.:	3 1/8"
HANDLE LENGTH:	18 1/8"
OPERATING FORCE:	117 LBS
SADDLE DIM.:	2"
VOLUME OF HD. OIL:	525 C.C.
NET WEIGHT:	26.0 LBS
GROSS WEIGHT:	55.1 LBS / 2 PCs
COLOR BOX DIM.:	6 5/8" (L) X 6 1/4" (W) X 10 1/4" (H)
CARTON BOX DIM.:	13 1/8" (L) X 7 1/4" (W) X 11 3/8" (H)
CUFT.:	0.63 CUFT (1396 PCs/ 20' CTN)



FEATURE

- MEETS ASME/ANSI - PALD SAFETY STANDARDS
- LIFTING RANGE: 9 1/2" TO 18 5/8"
- PATENTED BUILT-IN BY-PASS DEVICE MECHANISM
- TWO PCS. HANDLE
- HEAT TREATED EXTENSION SCREW



SPARE PARTS LIST

Model # Atd-7386

ITEM	PARTCODE	DESCRIPTION	QTY
1	*	extension screw	1
2	*	o-ring	1
3	*	top nut	1
4	*	gasket (upper)	1
5	5905-00100-000	filler plug	1
6	B200-14000-000	reservoir	1
7	*	cylinder	1
8	*	back-up ring	1
9	*	o-ring	1
10	*	ram piston	1
11	B200-13001-100	ram bearing	1
12	*	back-up ring	1
13	*	u-cup	1
14	*	gasket	1
15	B120-10003-000	filter	1
16	B020-10005-000	release valve	1
17	*	seal	1
18	5601-00635-000	steel ball	1
19	*	screw	1
20	*	base	1
21	B020-16000-000	hyd. cartridge	1
22	*	seal	1
23	B020-15002-000	washer	1
24	B080-15001-000	pump cylinder	1
25	*	u-cup	1
26	*	back-up ring	1
27	*	o-ring	1
28	B080-15101-000	pump piston	1
29	5405-07027-000	pin	1
30	5405-02018-000	snap ring	2
31	B080-14000-000	handle sleeve assy.	1
32	5405-07027-000	pin	1
33	B080-20000-000	handle	1

* part is not available

